

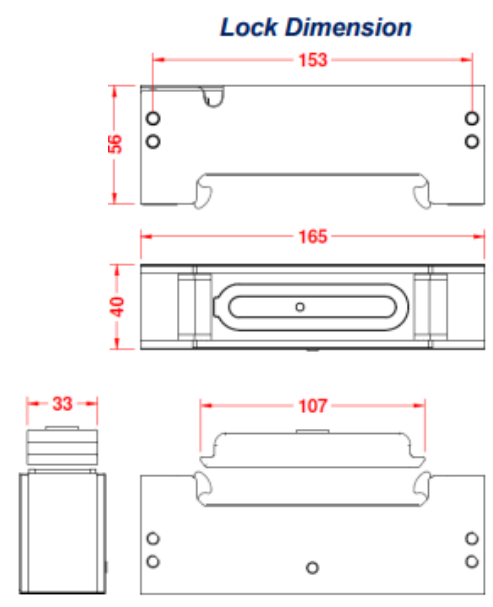
EM-1350 DOUBLE ACTION ELECTRIC LOCK (FAIL SAFE)



- Compact design with high holding force 1350kg (3000lbs)
- Build in microprocessor controlled with lock monitoring
- Suitable for hollow metal / wooden / aluminium / uPVC and glass doors or single swing doors
- Build in time delay of 5 seconds
- Better weather resistant with stainless steel cover and magnet and armature 120Hours salt spray
- RoHs compliant

Specification:
 Holding Force: 3,000Lbs (1,350Kg)
 Dual Voltage: 12~24VDC (+/-10%)
 Consumption: 680mA max. -12VDC
 340mA max. -24VDC

Dimension:
 Magnet: 40x165x56 mm
 Armature: 33x107x16



Application :

