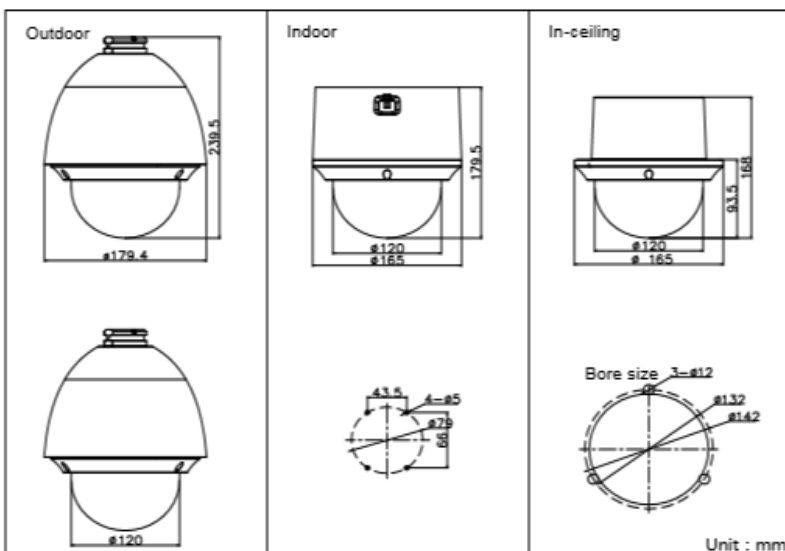




Dimensions



MINI PTZ DOME ANALOG CAMERA

- High performance CCD
- $\pm 0.1^\circ$ Preset Accuracy
- Camera title programmable
- 3D intelligent positioning function
- RS-485 communication diagnosis capability
- IP66 standard (outdoor dome)
- Scheduled PTZ movement
- Password protection

MINI PTZ DOME ANALOG CAMERA

Description	Specifications
Camera	
Image sensor	1/3" CCD
Effective pixel	PAL: 976(H)×582(V) NTSC: 976(H)×494(V)
Min. Illumination	Color: 0.02 Lux / (F1.6 AGC ON) B/W: 0.002 Lux / (F1.6 AGC ON)
White balance	Auto / ATW / Indoor / Outdoor /One push
AGC	Auto / Manual
S/N ratio	≥ 50dB
3D DNR / Backlight Compensation / Digital WDR	Support
Horizontal Resolution	700TVL
Signal System	PAL / NTSC
Shutter Time	PAL:1/1 - 1/10,000s NTSC:1/1 - 1/10,000s
Day & Night	IR Cut Filter
Digital Zoom	16X
Privacy Mask	8 privacy masks programmable; a maximum of 8 zones can be masked simultaneously on the same video screen
Focus Model	Auto / Semi automatic / Manual
Lens	
Focal Length	4 - 92 mm, 23x
Zoom Speed	Approx.3s (Optical Wide-Tele)
Angle of View	49 ~23.2 degree (Wide-Tele)
Min. Working Distance	10 ~1000mm (Wide-Tele)
Aperture Range	F1.6 ~ F3.7
Pan / Tilt	
Pan Range	360°endless
Pan Speed	Pan Manual Speed:0.1°-160°/s, Pan Preset Speed:160°/s
Tilt Range	0°-90°(Auto Mirror)
Tilt Speed	Tilt Manual Speed:0.1°-120°/s, Tilt Preset Speed:120°/s
Proportional Zoom	Rotation speed can be adjusted automatically according to zoom multiples
Number of Preset	256
Patrol	8 patrols, up to 32 presets per patrol
Park action	Preset / Patrol / Pattern / Panscan / Tilt scan / Random scan / Frame scan / Panorama scan
Pattern	4 patterns ,with the total recording time not less than 10minutes
PTZ Position Display	On / off
Freeze Frame / Password Protection / Power-off Memory	Support
Zone Scanning / Display	Scanning within programmed zone, display zone title
Camera Title	Programmable title display
Compass	Support, the north can be set
Scheduled Task	Preset / Patrol / Pattern / Pan scan / Tilt scan / Random scan / Frame scan / Panorama scan
RS-485 Communication Diagnosis	Including failure information, e.g., wrong address, baud rate errors, et., displayed on the video screen in text
Manchester code communication diagnosis	Including failure information, e.g., wrong address, baud rate errors displayed on the video screen in special characters
Input / Output	
Monitor Output	1.0V[p-p] / 75Ω, NTSC (or PAL) composite, BNC
RS-485 Interface	Half-duplex mode Self-adaptive, Pelco-P, Pelco-D protocol
General	
Menu Language	English,Chinese
RS-485 Protocols	Pelco-P, Pelco-D, self-adaptive
Power	24VAC ; Outdoor:Max.18W (heater: 6W) ; Indoor: Max.12W
Working Temperature / Humidity	-30 °C-65°C (-22°F-149°F) (outdoor dome) /-10°C-50°C (14°F-122°F) (indoor dome) 90% or less
Protection Level	IP66 standard (outdoor dome) TVS 4,000V lighting protection, surge protection and voltage transient protection
Mounting	Various mounting modes optional
Dimension	Φ179.4×239.5mm (Φ7.06"×9.43") (Outdoor) Φ165×179.5mm (Φ6.50"×7.07") (Indoor) Φ165×168mm (Φ6.50"×6.61") (In-ceiling)
Weight (approx.)	2Kg (4.41lbs)(Outdoor) ; 2Kg (4.41lbs)(Indoor/In-ceiling)
Mount option (only suitable for outdoor model)	Long-arm wall mount:DS-1602ZJ; Long-arm pendant mount:DS-1662ZJ; Short-arm pendant mount:DS-1661ZJ