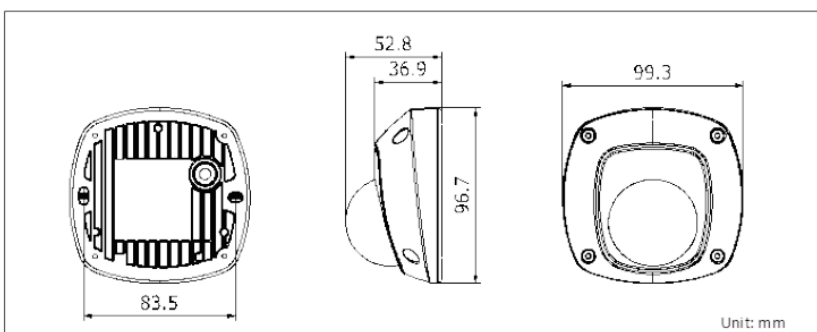




Dimensions



IR MINI DOME NETWORK CAMERA

- 1.3MP / 3MP High Resolution
- HD Real-Time Video
- -I: IR LEDs (Up to 10m)
- DWDR & 3D DNR & BLC
- Onboard Storage (up to 64GB)
- -S: Built-in Mic, Audio out, Alarm I/O
- IP66 Protection
- -W: Support Wifi

IR MINI DOME NETWORK CAMERA

Description	Specifications	
Camera	2CD2512F	2CD2532F
Image Sensor	1/3" Progressive Scan CMOS	
Min. Illumination	0.01 lux @F1.2, AGC ON, 0 lux with IR	0.07 lux @F1.2, AGC ON, 0 lux with IR
Lens	4mm@ F2.0 (2.8mm, 6mm optional)	4mm@ F2.0 (2.8mm, 6mm optional)
	Angle of view: 92.5°(2.8mm), 73.1°(4mm), 46°(6mm)	2048 × 1536: Angle of view: 86°(2.8mm), 70°(4mm), 43.3°(6mm) 1920 × 1080: Angle of view: 98.5°(2.8mm), 79°(4mm), 49°(6mm)
Shutter Time	1/3s ~ 1/100,000s	
Lens Mount	M12	
Day & Night	IR cut filter with auto switch	
Adjustment Angle	Pan: -30°-30°, Tilt: 0~80°, Rotation: 0-360°	
Digital Noise Reduction	3D DNR	
Wide Dynamic Range	Digital WDR	
Backlight Compensation	Yes, zone configurable	
Compression Standard		
Video Compression	H.264 / MJPEG	
H.264 Codec Profile	Main profile	
Bit Rate	32 Kbps - 12 Mbps	
Audio Compression(-s)	G.711/G.722.1/G.726/MP2L2	
Audio Bit Rate(-s)	64Kbps(G.711) / 16Kbps(G.722.1) / 16Kbps(G.726) / 32-128Kbps(MP2L2)	
Image		
Max. Resolution	1920 x 1080	2048 × 1536
Frame Rate	50 Hz: 25 fps (1280 × 960), 25 fps (1280 × 720), 25 fps (704 × 576), 25 fps (640 × 480) 60 Hz: 30 fps (1280 × 960), 30 fps (1280 × 720), 30 fps (704 × 576), 30 fps (640 × 480)	50Hz: 20fps (2048 x 1536), 25fps (1920 × 1080), 25fps (1280 x 720) 60Hz: 20fps (2048 x 1536), 30fps (1920 × 1080), 30fps (1280 x 720)
Image Settings	Rotate mode, Saturation, brightness, contrast, sharpness adjust browser able through client software or web	
ROI	Support	
Network		
Network Storage	Local storage: Built-in Micro SD/SDHC/SDXC slot, up to 128 GB. NAS (NFS, SMB/CIFS)	
Wifi	Support (-W)	
Alarm Trigger	Line Crossing, Intrusion Detection, Motion detection, Dynamic analysis, Tampering alarm, Network disconnect, IP address conflict, Storage exception.	
Protocols	TCP/IP,ICMP,HTTP,HTTPS,FTP,DHCP,DNS,DDNS,RTP,RTSP,RTCP, PPPoE,NTP,UPnP,SMTP,SNMP,IGMP,802.1X,QoS,IPv6,Bonjour	
System Compatibility	ONVIF, PSIA, CGI, ISAPI	
General Functionalities	Flicker less, dual stream, heartbeat, mirror, user authentication, video mask, watermark	
Interface		
Communication Interface	1 RJ45 10M / 100M ethernet port	
On-board Storage	Built-in Micro SD/SDHC/SDXC card slot, up to 64	
Alarm Interface	-S: 1/1 alarm I/O	
General		
Operating Conditions	-30 °C – 60 °C (-22 °F – 140 °F) Humidity 95% or less (non-condensing)	
Power Supply	12 VDC ± 10% , PoE (802.3af)	
Power Consumption	Max. 5W	
Protect Level	IP66	
Impact Protection	IEC60068-2-75Eh, 20J; EN50102, up to IK08	
IR Range	10 meters	
Dimensions (mm)	99.3 × 96.7 × 52.8mm	
Weight	600 g (1.32 lbs)	