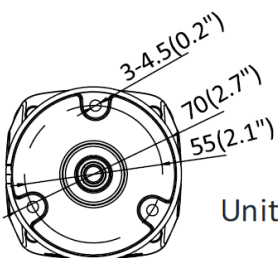
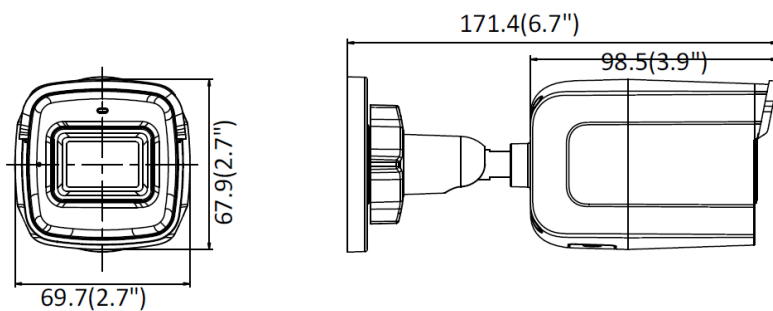




Dimensions



Unit: mm(inch)

2MP IR FIXED NETWORK BULLET CAMERA

- 1/2.8" Progressive Scan CMOS
- 1920 × 1080 @ 30fps
- 2.8/4 mm fixed lens
- H.265+, H.265, H.264+, H.264
- 3D Digital Noise Reduction
- IP66

2MP IR FIXED NETWORK BULLET CAMERA

Description	Specifications
Camera	
Image Sensor	1/2.8" Progressive Scan CMOS
Min. Illumination	Color: 0.01 Lux @ (F1.2, AGC ON), 0.028 lux @(F2.0, AGC ON), 0 lux with IR
Shutter Speed	1/3 s to 1/100,000 s
Slow Shutter	Yes
Day & Night	IR Cut filter
Auto-Iris	No
Digital Noise Reduction	3D DNR
Wide Dynamic Range	DWDR
Axis Adjustment	Pan: 0° to 360°, tilt: 0° to 90°, rotate: 0° to 360°
Lens	
Focal Length	2.8/4mm
Aperture	F2.0
Focus	No
FOV	2.8 mm, horizontal FOV: 114°, vertical FOV: 62°, diagonal FOV: 135° 4 mm, horizontal field of view: 86°, vertical FOV: 46°, diagonal FOV: 102°
Lens Mount	M12
IR	
IR Range	Up to 30 m
Wavelength	850nm
Compression Standard	
Video Compression	Main stream: H.265/H.264 Sub-stream: H.265/H.264/MJPEG
H.264 Type	Baseline Profile/Main Profile/High Profile
H.264+	Main stream supports
H.265 Type	Main Profile
H.265+	Main stream supports
Video Bit Rate	32 Kbps to 8Mbps
Smart Feature-set	
Region of Interest	Support 1 fixed region for main stream
Interface	
Video Out	No
Alarm I/O	No
Communication Interface	1 RJ45 10M/100M self-adaptive Ethernet port
On-board storage	Built-in MicroSD/SDHC/SDXC slot, up to 128G
Reset Button	Yes

2MP IR FIXED NETWORK BULLET CAMERA

Description	Specifications
Network	
Network Storage	Support built-in microSD/SDHC/SDXC card (128G), local storage and NAS (NFS, SMB/CIFS), ANR
Alarm Trigger	Motion detection, video tampering, network disconnected, IP address conflict, illegal login, HDD error, HDD full
Protocols	TCP/IP, ICMP, HTTP, HTTPS, FTP, DHCP, DNS, DDNS, RTP, RTSP, RTCP, PPPoE, NTP, UPnP, SMTP, SNMP, IGMP, QoS, IPv6, UDP, Bonjour
General Function	One-key reset, anti-flicker, heartbeat, mirror, password protection, privacy mask, watermark, IP address filter
Firmware Version	V5.5.60
API	ONVIF (PROFILE S, PROFILE G), ISAPI
Simultaneous Live View	Up to 6 channels
User / Host	Up to 32 users 3 levels: Administrator, Operator and User
Client	iVMS-4200, Hik-Connect, iVMS-5200, iVMS-4500
Web Browser	IE8+, Chrome31.0-44, Firefox30.0-51, Safari 8.0+
Image	
Max. Resolution	1920 x 1080
Main Stream	50Hz: 25fps (1920 × 1080, 1280 × 960, 1280 × 720) 60Hz: 30fps (1920 × 1080, 1280 × 960, 1280 × 720)
Sub-Stream	50Hz: 25fps (640 × 480, 640 × 360, 320 × 240) 60Hz: 30fps (640 × 480, 640 × 360, 320 × 240)
Image Settings	Saturation, brightness, contrast and sharpness are adjustable via client software and web browser
Image Enhancement	BLC/3D DNR
Day / Night Switch	Auto/Scheduled/Day/Night
General	
Operating Conditions	-30 °C to +60 °C (-22 °F to +140 °F), Humidity 95% or less (non-condensing)
Power Supply	12 VDC ± 25%, Φ 5.5 mm coaxial plug power
Power Consumption and Current	12 VDC, 0.4 A, Max: 4.8W
Protection Level	IP66
Material	Front cover: plastic, camera body: metal
Dimensions	Camera: 69.7 mm × 67.9 mm × 171.4 mm (2.7" × 2.7" × 6.7") With package: 216 mm × 121 mm × 118 mm (8.5" × 4.8" × 4.6")
Weight	Camera: 372g (0.8lb) With package: 659g (1.5lb)