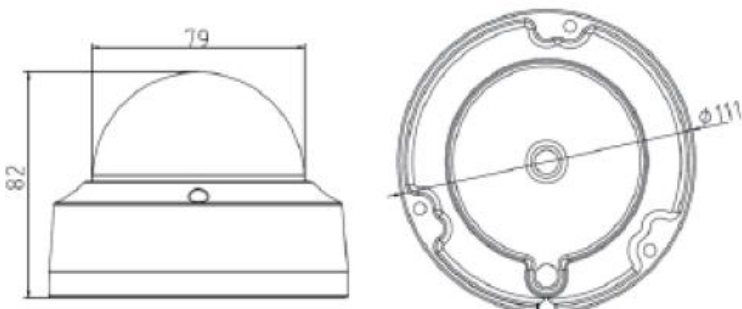




Dimensions



## INDOOR / OUTDOOR NETWORK IR FIXED DOME CAMERA

- Up to 1.3 Mp (1280 × 960) @ 30 fps Resolution
- Built-in Smart IR Led, up to 30mt
- True Day Night, IR Cut Filter
- Dual Stream
- Built-in Smart Video Analysis
- Backlight Compensation (BLC)
- Digital WDR
- Digital Noise Reduction
- IP66
- Vandal-Proof

# INDOOR / OUTDOOR NETWORK IR FIXED DOME CAMERA

Description	Specifications
Image Sensor	1/3" Progressive Scan CMOS
Min. Illumination	0.01 Lux @ (F1.2, AGC ON), 0 lux with IR
Shutter Speed	1/25s to 1/100,000 s
S/N Ratio	50dB
Lens	4mm@ F2.0 (2.8mm, 6mm, 12mm optional)
Day & Night	IR cut filter with auto switch
Digital Noise Reduction	3D DNR
Wide Dynamic Range	DWDR
Video Compression	H.264 / MJPEG
H.264 Type	Main Profile
Video Bit Rate	32 Kbps – 16 Mbps
Dual Stream	Support
Max. Resolution	1280 × 960
Frame Rate	50 Hz: 25 fps (1280 × 960), 25 fps (1280 × 720), 25 fps (704 × 576), 25 fps (640 × 480) 60 Hz: 30 fps (1280 × 960), 30 fps (1280 × 720), 30 fps (704 × 576), 30 fps (640 × 480)
BLC	Support
Image Setting	Rotate mode, Saturation, Brightness, Contrast adjustable by client software or web browser
ROI	Support
Network Storage	NAS (Support NFS,SMB/CIFS)
Smart Video Analysis	Line Crossing, Intrusion Detection, Motion detection, Dynamic analysis, Tampering alarm, Network disconnect , IP address conflict, Storage exception
Protocols	TCP/IP,ICMP,HTTP,HTTPS,FTP,DHCP,DNS,DDNS,RTP,RTSP,RTCP, PPPoE,NTP,UPnP,SMTP,SNMP,IGMP,802.1X,QoS,IPv6,Bonjour
General	One-key reset, Flash-prevention, dual stream, heartbeat, mirror, password protection, privacy mask, watermark, IP address filtering, Anonymous access
Standard	ONVIF Profile S, PSIA, CGI, ISAPI
Communication Interface	1 RJ45 10M/100M Ethernet port
IR Range	Approx. 10 to 30 meters
Impact Protection	IEC60068-275Eh, 50J; EN50102, up to IK10
Ingress Protection	IP66
Operating Conditions	-30 °C ~ 60 °C (-22°F ~ 140 °F) humidity 95% or less (non-condensing)
Power Supply	12 V DC ± 10%, PoE (802.3af)
Power Consumption	Max. 5 W (Max. 7 W with IR cut filter on)
Dimensions	Φ111 × 82 (4.4" × 3.2")
Weight	500 g
Certification	CE EN 55022(CLASS B),EN50130-4,EN61000-3-2,EN 61000-3-3,EN60950-1 FCC CFR 47 FCC Part 15 subpart B(CLASS B) C-TICK AS/NZS CISPR 22:2009 (CLASS B) UL&cUL UL 60950-1, CSA C22.2 No. 60950-1-07 RoHS 2011/65/EU REACH No1907/2006 WEEE 2012/19/EU